

Specifications

| | | |
|------------------------|-------------------------------------------------------------------------------------------------------------------------------------|------------------------------------------------------------------------|
| Product | Multi-Channel Anemomaster PRO Main Unit | |
| Model | Model 1590-00 | |
| Display, Operation | 7-inch color LCD with touch panel | |
| Communication Function | Data | USB Type-A: For USB memory |
| | Remote measurement | Modbus (Ethernet, USB Serial) |
| | Between units | RS485 (Standard cable) |
| Recording Media | Medium | Built-in memory |
| | Format | CSV format |
| | Recording capacity | 8GB (One hub unit can measure 1000 sampling times, about 24500 times.) |
| External Trigger Input | Pin jack terminal Φ2.5 audio jack (Edge detection at start) | |
| Language | Japanese, English, Chinese | |
| Power Supply | DC12 to 24V (Select either one of 3 options below) 1) Connection with other unit, 2) AC adaptor (90W or 160W), 3) DC power cable | |
| Power consumption | 10W | |
| Size | W220 mm × D130 mm × H40 mm | |
| Weight | 0.6 kg | |
| Standard Accessories | AC Adapter (90W), Software (CD), Operation manual, USB cable, Stylus pen, Rubber cap | |
| Warranty | 1 year | |

| | | |
|------------------------|-----------------------------------------------|--------------------------------------------------|
| Product | HUB Unit | |
| Model | Model 1591-00 | |
| Number of channels | 12ch | |
| Communication Function | Between Probes | Serial communication (standard cable) |
| | Between Units | Serial communication (standard cable, connector) |
| Power Supply | DC12 ~ 24V Power supply method conforms | |
| Power consumption | to the main unit | |
| Size | Up to 50W | |
| Weight | W220mm × D130mm × H40mm | |
| Standard Accessories | 0.5kg Setup guide, Connecting clips (2pcs) | |
| Warranty | 1 Year | |

| | | | |
|------------------------|--------------------------------------------------------------------------------|--------------------------------------------------|----------|
| Product | Analog Unit | | |
| Model | Model 1592-00 | | |
| Number of channels | 12ch | | |
| Communication Function | Between units | Serial communication (standard cable, connector) | |
| Analog Output | Voltage output | Range | 0 ~ 5V |
| | | Output resistance | 1kΩ |
| | Current output | Range | 4 ~ 20mA |
| | Load resistance | | 250Ω |
| Power Supply | DC12 ~ 24V Power supply method conforms to the main unit | | |
| | 10W | | |
| Size | W220mm × D130mm × H40mm | | |
| Weight | 0.5kg | | |
| Standard Accessories | Setup guide, Connecting clips (2pcs), Rubber cap (2pcs), Terminal block (3pcs) | | |
| Warranty | 1 year | | |

Common specifications for unit

| | |
|-----------------------|-------------------------------------|
| Operating Environment | 5~40°C, 0~85%RH (No Condensation) |
| Storage Environment | -10~60°C, 0~90%RH (No Condensation) |

Specification of Probe

| Model Number | Measurement Target | Directivity | Air Velocity | | Responsivity | Wind Temperature | | Humidity | | Operating Temperature | Temperature compensation sensor | |
|-------------------------------|----------------------------------------|---------------------------------------------------------|-------------------|---------------------------------------------------------|--------------|-------------------|----------------------|-------------------------------------|---------------------------------|-----------------------|-------------------------------------|---------------------------------------------------------|
| | | | Measurement Range | Measurement Accuracy | | Measurement Range | Measurement Accuracy | Measurement Range | Measurement Accuracy | | | |
| 0972-00 | Wind | Yes | 0.01~50.0m/s | The larger of ± 2% or ± 0.02 m/s of the displayed value | 1 second | — | — | — | — | 0-100°C | ± 5% of displayed value at 0-100 °C | |
| 0973-00 | | | 0.01~25.0m/s | | | | | | | | | |
| 0975-00 | | | 0.01~50.0m/s | | | | | | | | | |
| 0975-09 0975-10 | | | 0.01~50.0m/s | | | | | | | | | |
| 0976-03 0976-04 0976-07 | Speed | No | 0.01~30.0m/s | The larger of ± 3% or ± 0.02 m/s of the displayed value | 3 second | — | — | — | — | 0-120°C | ± 5% of displayed value at 0-120 °C | |
| 0976-13 0976-14 0976-17 | | | | | | | | | | | | The larger of ± 2% or ± 0.02 m/s of the displayed value |
| 0976-05 0976-15 | | | | | | | | | | | | |
| 0975-21 | 0.01~25.0m/s | The larger of ± 2% or ± 0.02 m/s of the displayed value | 0~120°C | ±0.5% | — | — | 0-100°C | ± 5% of displayed value at 0-100 °C | | | | |
| 0975-31 | Air Velocity, Temperature and Humidity | No | 0.01~25.0m/s | The larger of ± 2% or ± 0.02 m/s of the displayed value | — | 0~100°C | ±0.5% | 5~95%RH | 5~80%RH: 3%RH 80~90%RH: 5%RH | 0-100°C | ± 5% of displayed value at 0-100 °C | |

Responsivity: Indicated value gets 0.9m/s or more than 0.9m/s to "air velocity 1m/s" or the certain temperature condition



KANOMAX USA, INC.

219 US Hwy 206, Andover NJ 07821 USA
TEL : +1 973-786-6386
E-mail : sales@kanomax.com
URL : www.kanomax-usa.com

● Distributed by :

BCT Enterprise Co., Ltd.

40/24 Moo 5, Lumlukka, Pathumthani 12150
Tel. 081 682 5558
www.bct-enterprise.com
Email: info@bct-enterprise.com

E1590-2E



Multi-Channel Anemomaster PRO

MODEL 1590



Accurate simultaneous multi-channel measurement from large to narrow spaces

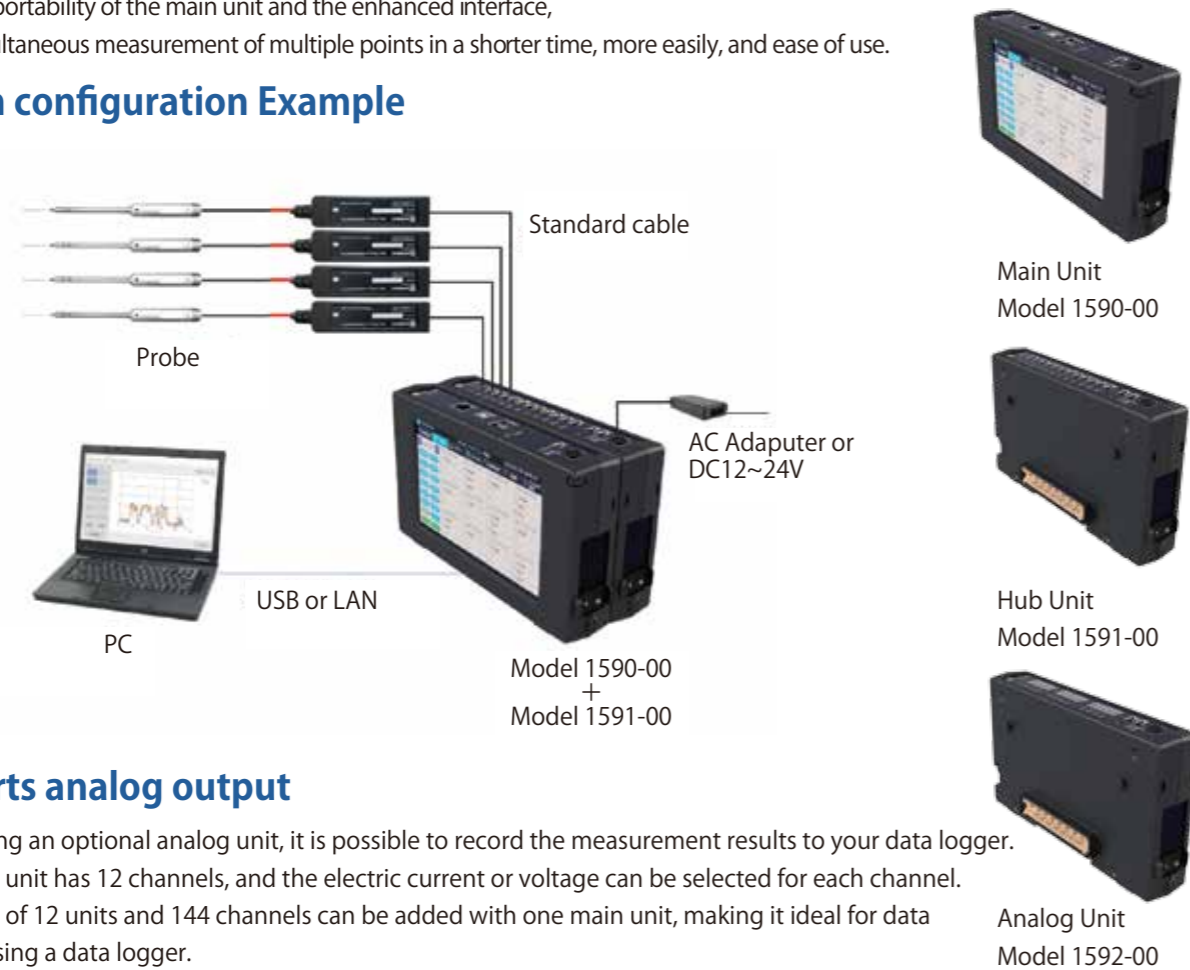
- 15 types of compatible probes for various applications
- The smallest class probe in the industry
- High heat resistance enables precise measurement even in tough environments.
- Large-scale system configuration with max.144 ch available
- Measurement in large-scale space is easy
- High portability of the main body makes it easy to use in vehicles.
- Improved probe response and accuracy, micro air velocity limit of 0.01 m/s

Flexible system construction that allows you to select the number of channels, measurement items, and sensor shape according to your purpose.

The accuracy and responsiveness of the entire velocity range, including the breeze speed range, which are highest level in the world. Multipoint measurement on up to 144 channels is realized with the industry's smallest level miniature probe, high heat resistance, and temperature measurement.

Due to the high portability of the main unit and the enhanced interface, we pursued simultaneous measurement of multiple points in a shorter time, more easily, and ease of use.

System configuration Example

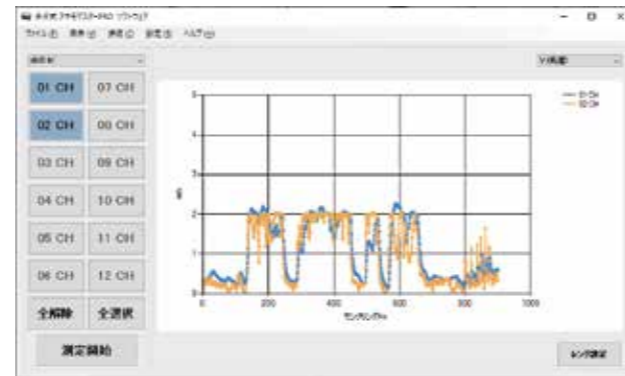


Supports analog output

By connecting an optional analog unit, it is possible to record the measurement results to your data logger. Each analog unit has 12 channels, and the electric current or voltage can be selected for each channel. A maximum of 12 units and 144 channels can be added with one main unit, making it ideal for data collection using a data logger.

Software

This product comes with a Windows version of the measurement software. Simultaneous measurement of all channels of air velocity, temperature and humidity, and real-time graph display. The measurement data is saved in text format and can be easily imported into table measurement software such as Excel. There are two types of communication interfaces, USB and LAN. There are two ways to configure the settings: by operating the touch panel on the main unit, or remotely from a PC via USB or LAN.



Application Example

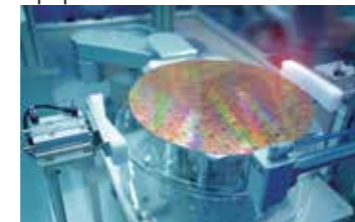
Thermal management of the ECU



Evaluation of heat measures for the electronic infrastructure



Airflow management indoors for semiconductor manufacturing equipment



Data center thermal management



Air velocity range of compatibility probes to meet a many different type of customer needs

15 Types of Probes Are Available

Model 0972-00



V : 0.01 ~ 50.0 m/s

Model 0973-00



V : 0.01 ~ 50.0 m/s

Model 0975-00



V : 0.01 ~ 25.0 m/s

Model 0975-09 / 21



V : 0.01 ~ 50.0 m/s (09)
V : 0.01 ~ 25.0 m/s (21)
T : 0 ~ 100 °C (21)

Model 0975-10



V : 0.01 ~ 50.0 m/s

Model 0976-03 / 13



V : 0.01 ~ 30.0 m/s
Operating temperature : 0 ~ 120 °C (03)
0 ~ 100 °C (13)

Model 0976-04 / 14



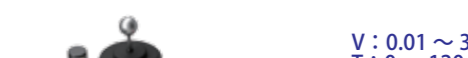
V : 0.01 ~ 30.0 m/s
Operating temperature :
0 ~ 120 °C (04)
0 ~ 100 °C (14)

Model 0975-31



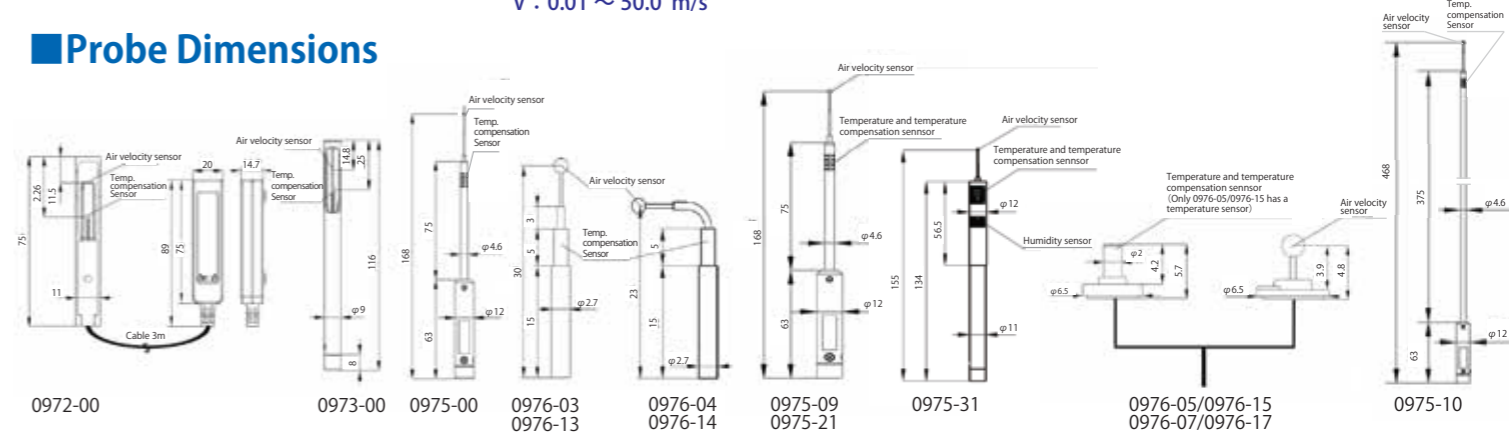
V : 0.01 ~ 25.0 m/s
T : 0 ~ 60 °C
H : 5 ~ 95 %RH

Model 0976-05 / 15 0976-07 / 17



V : 0.01 ~ 30.0 m/s
T : 0 ~ 120 °C (05 / 07)
0 ~ 100 °C (15)
Operating temperature :
0 ~ 120 °C (05 / 07)
0 ~ 100 °C (15 / 17)
Probe height : 5.8 mm

Probe Dimensions



Available Accessories

AC adapter



Model 1580-10
Output power : 90W
Input : AC100-240V
50/60Hz, 1.5A

Standard cable



| Model | Length |
|---------|--------|
| 1580-30 | 0.5m |
| 1580-31 | 2m |
| 1580-32 | 5m |
| 1580-33 | 10m |
| 1580-34 | 20m |
| 1580-35 | 40m |

DC power connection cable



Model 1580-37
Length : 2m
Supply voltage : 12 ~ 24V
Power capacity : Maximum 6.25A
(Maximum about 150W)

Probe fixing jig



Model 1580-90
Compatible probe :
0976-03/04
0976-13/14
Upper-temperature limit : 150 °C
Quantity : 20 pairs / 1 pack



Probe fixing example

Double-coated tape for 0976



Model 1580-92
Compatible probe :
0976-05/07
0976-15/17
Size : φ5.5 × t0.3mm
Upper-temperature limit : 120 °C
Quantity : 200 pairs / 1 pack



Example or probe with the double-sided tape